



New!

"we stop the world only for you"



The **Scorpio Stabilized Head V** is a new level on the stabilization's world. Following the principles of the previous Scorpio Stabilized Head, the design of the new gyros, new mechanics and new software allows to be **Faster, Easier** and, of course, more **Effective**.

With the NEW touch panel control the capacity of memorize movements even in Stabilized mode is available.

Faster:

- Pan axis revolutions 360° in 2,8 seconds with HD slip rings to allow fast movements following the action.
- The new design with the axis sliding through bars allows to adjust the size of the head quickly.
- All the connections, covers and movements are protected for water allowing to work under humidity or rain without rain cover for the head.

Easier:

- The new method of control allows to be stable on the drift and easy to maintain the horizon with the new real horizon function.

Effective:

- The main thing in a Stabilized Head is the level of Stabilization. The **Scorpio Stabilized Head V** incorporates new mechanics and electronics designed in detecting a big range of frequencies of vibrations and with enough speed to correct faster than other heads. Is for that, the vibrations isolator becomes an accessory to use only in necessary cases.

Wireless Control

- Connection between **Scorpio Stabilized Head V** and control
- Half duplex microwave 2,4 GHz
- 99 channels of communication
- Aux power out 12 V



Scorpio Focus Wireless

- Lens control for focus, Iris and Zoom
- Half duplex microwave 2,4 GHz



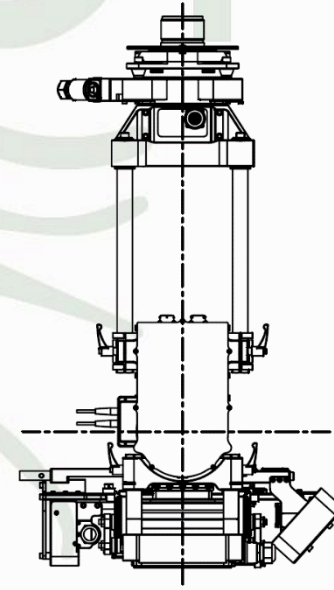
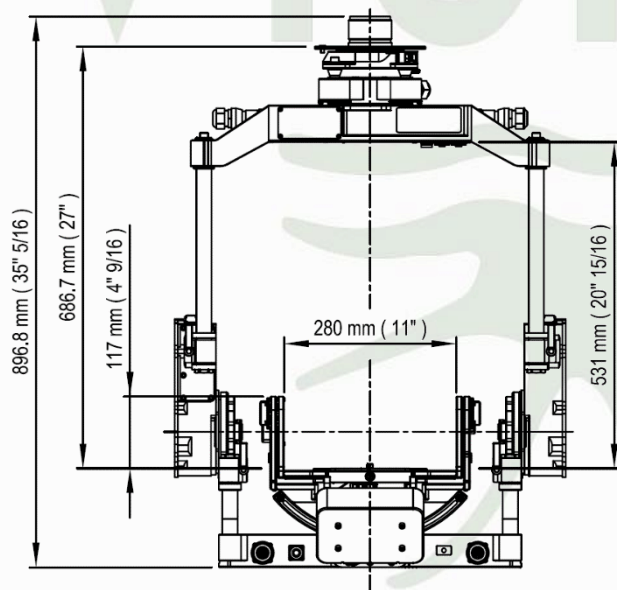
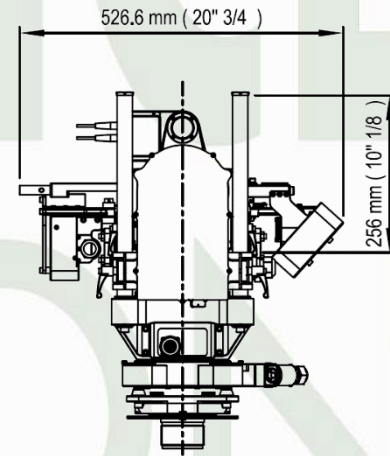
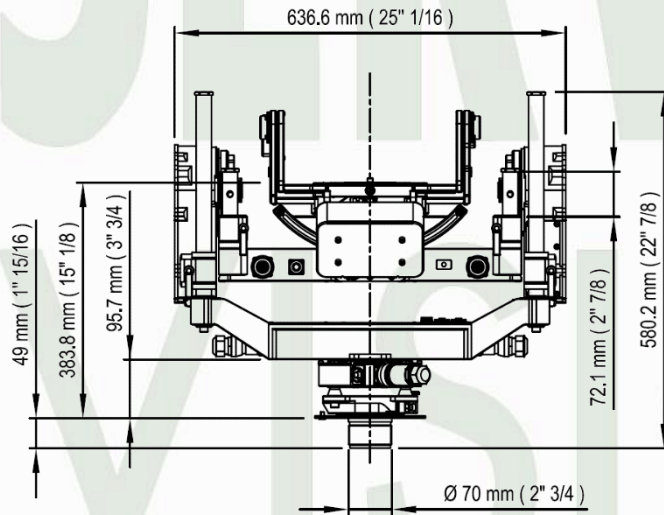


Scorpio Stabilized Head V PROVIDES

- Power for all film and video cameras
- Two lines: 1 video - 1 HD
- Power for witness camera
- Power supply for **Scorpio Focus** or other popular Lens Control
- Three control systems are available: Handwheels, Joystick and Pan Bar (JDR)
- Programmable limits, Damping and Speed adjustment for all axes
- Back PAN: Automatic
- Real horizon
- Different vibrations isolator are available
- Memorization capacity in all axis even in Stabilized mode

Technical specifications:

- Speed: 360°/2.8 seconds
- Rotation: PAN 360°
- TILT 270°
- ROLL +/- 30°
- Head weight: 33 kg / 72 lb
- Max. camera weight: 45 kg / 100 lb
- Power requirements: 30 V DC
- Standby current: 800 mA
- Maximum current: 10 A
- Maximum usable lens focal: 300 mm
- SET-UP time: The same as a standard Scorpio Head
- Water resistant
- The **Scorpio Stabilized Head V** can be controlled two different ways:
 - By cable up to 500 m (1500 ft)
 - By microwave **Scorpio Radio System**



SERVICEVISION BIS S.L.

Calle Ríos Rosas, 20
08940 Cornellà de Llobregat
Barcelona, Spain
Phone +34 93 2238630
Fax +34 93 2238631
comercial@servicevision.es
www.servicevision.es



@servicevision



@servicevision_scorpio



@ServicevisionScorpio