

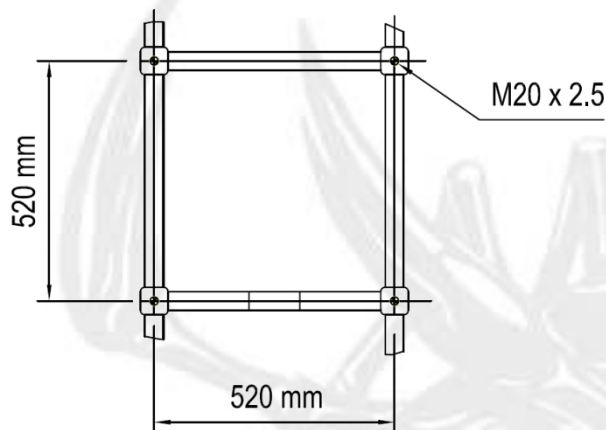
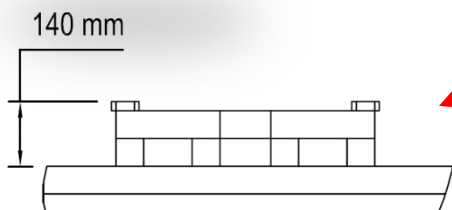
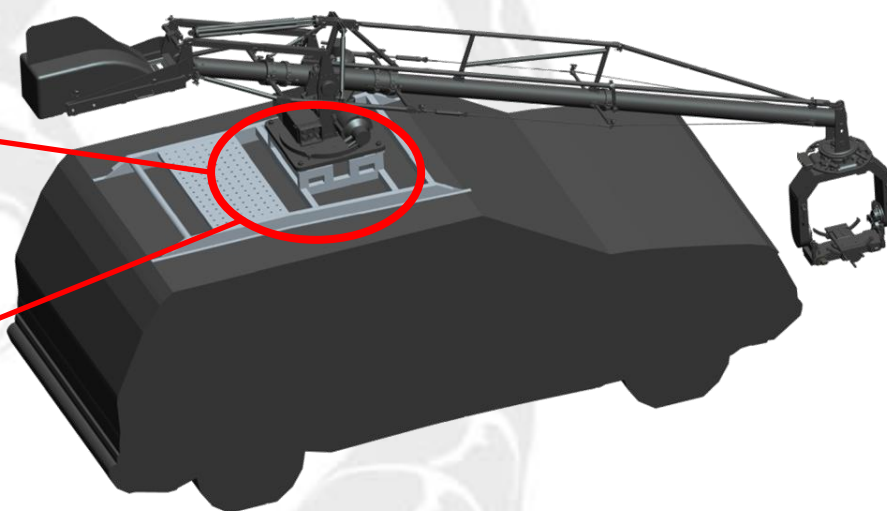
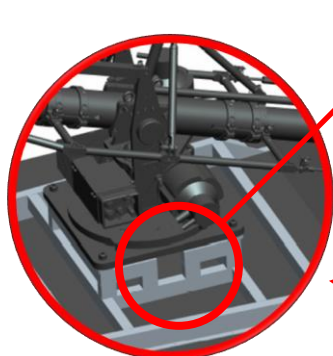


Instructions for the design of the support for the Scorpio Arm on the car's roof



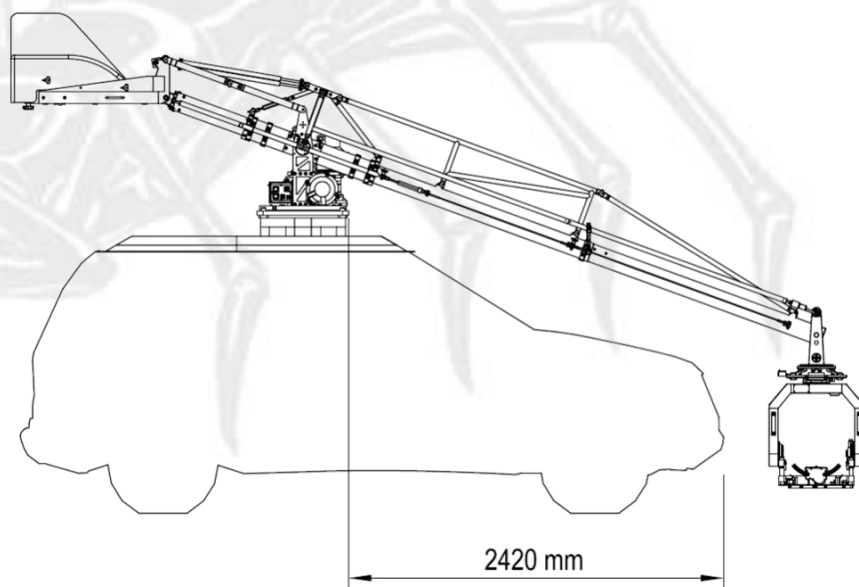
Acces for cables:

- Acces for cables is essential to run the cables inside the center of the Arm and to allow up to 4 PAN axis turning without damage these cables.



Height base:

- 140 mm should be clearance between the car roof and the base of the Arm to allow a 360° turn of the Counterweight box with the Arm fully raised.



Car distance:

- The distance between the front of the car and the base of the Scorpio Arm should be 2420 mm to allow 360° turn of the head with the Arm (in 12' configuration) fully down.

